

**Mini Dumpers**

|                            |                      |
|----------------------------|----------------------|
| <b>PAYLOAD</b>             | 850 / 1000 / 1200 kg |
| <b>GROSS ENGINE POWER</b>  | 16.4 kW (22 hp)      |
| <b>MAX SKIP CAPACITIES</b> | 484 - 725 litres     |



- Operating payloads from 850 to 1200 kg.
- 1.5m discharge height - can tip into standard skip.
- Narrow design enables machines to pass through a standard 1m doorway (HD850 and HD1000 only when fitted with optional narrow tyres).
- “Rental Tough” designs and fabrications to keep you working in tough conditions.
- Exceptional service access and ease of maintenance built into every machine.
- High ground clearance to cope with difficult ground conditions.
- Low centre of gravity for superb stability.
- Hydrostatic transmissions for additional hill-climbing power.

**Technical Data**

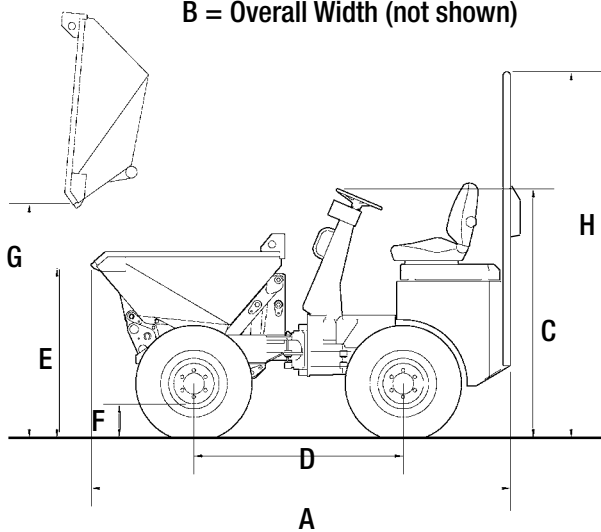
|                             | HD850                            | HD1000                           | HD1200       |
|-----------------------------|----------------------------------|----------------------------------|--------------|
| Payload (kg)                | 850                              | 1000                             | 1200         |
| Unladen Weight (kg)         | 1410                             | 1440                             | 1485         |
| Skip Capacity - Water (ltr) | 295                              | 338                              | 415          |
| - Struck (ltr)              | 391                              | 446                              | 548          |
| - Heaped (ltr)              | 484                              | 577                              | 725          |
| Engine                      | Kubota D905                      |                                  |              |
| Gross Power - kW (hp)       | 16.4 (22.0) @ 3000 RPM           |                                  |              |
| Tyre Size                   | 7.00 x 12 (opt.)<br>10.0/75x15.3 | 7.00 x 12 (opt.)<br>10.0/75x15.3 | 10.0/75x15.3 |
| Drive                       | Hydrostatic                      |                                  |              |
| Max Travel Speed (kph)      | 11.0                             | 11.0                             | 11.0         |

## Mini Dumpers

# HD850 / 1000 / 1200

### Dimensions

B = Overall Width (not shown)



#### Dimensions (mm)

|   |  | HD850       | HD1000      | HD1200 |
|---|--|-------------|-------------|--------|
| A | Total Length                             | 2959        | 2959        | 2959   |
| B | Total Width                              | 998* / 1120 | 998* / 1120 | 1310   |
| C | Height to Top of Steering Wheel          | 1745        | 1745        | 1745   |
| D | Wheelbase                                | 1440        | 1440        | 1440   |
| E | Height to Front Lip of Skip (lowered)    | 1175        | 1175        | 1175   |
| F | Ground Clearance                         | 241         | 241         | 241    |
| G | Height to Front Lip of Skip (discharged) | 1595        | 1595        | 1595   |
| H | Height to Top of ROPS (raised)           | 2483        | 2483        | 2483   |

\* When fitted with optional narrow tyres.

### Standard Equipment & Options

#### Standard Equipment

|                    |
|--------------------|
| Folding ROPS frame |
| Reversing Alarm    |
| Beacon             |
| 10.0/75x15.3 Tyres |

#### Optional Equipment

|   |
|---|
| Site Lights                                     |
| Road Lights (RTA)                               |
| Narrow Tyres (700 x 12 - HD850 and HD1000 only) |
| Rear View Mirror                                |
| Grassland Tyres                                 |

### Capacities

|                | HD850     | HD1000    | HD1200    |
|----------------|-----------|-----------|-----------|
| Fuel Tank      | 42 Litres | 42 Litres | 42 Litres |
| Hydraulic Tank | 27 Litres | 27 Litres | 27 Litres |

### Systems

|           | HD850               | HD1000 | HD1200 |
|-----------|---------------------|--------|--------|
| Hydraulic | 24 l/min, 130 bar   |        |        |
| Braking   | Hydrostatic Dynamic |        |        |

Dealer



TEREX Construction  
Central Boulevard, ProLogis Park,  
Coventry, England CV6 4BX

[www.terex.com](http://www.terex.com)

PHONE ++44 (0) 2476 339400  
FAX ++44 (0) 2476 339500  
EMAIL [enquiries@terexce.com](mailto:enquiries@terexce.com)  
WEB [www.terexce.com](http://www.terexce.com)

For further information, please contact your local distributor or the Terex sales office listed. Terex pursues a policy of continuous development for its products. Product specifications are subject to change without notice or obligation. The photographs and drawings in this brochure are for illustrative purposes only. Refer to the appropriate Operator's Manual for instructions on the proper use of this equipment. Failure to follow the appropriate Operator's Manual when using our equipment or to otherwise act irresponsibly may result in serious injury or death. Prices and specifications subject to change without notice. The only warranty applicable is the standard written warranty applicable to the particular product and sale. Terex makes no other warranties, whether expressed or implied. Products and services listed may be trademarks, service marks or trade-names of Terex Corporation and/or its subsidiaries in the USA and other countries and all rights are reserved. "Terex" is a Registered Trademark of Terex Corporation in the USA and many other countries. Copyright ©09.2006 Terex Corporation

DS HD 0107-EN



Printed on material using 55% recycled fibre from both pre and post-consumer sources, together with 45% virgin ECF fibre from sustainable forests.