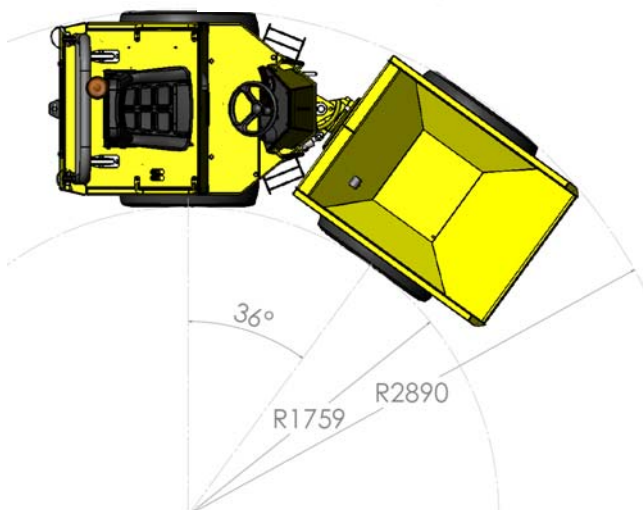
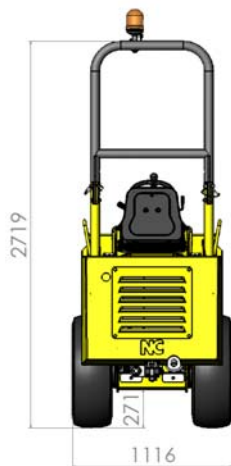
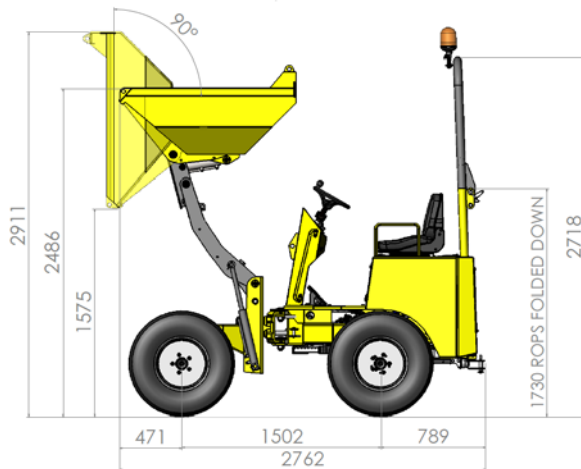
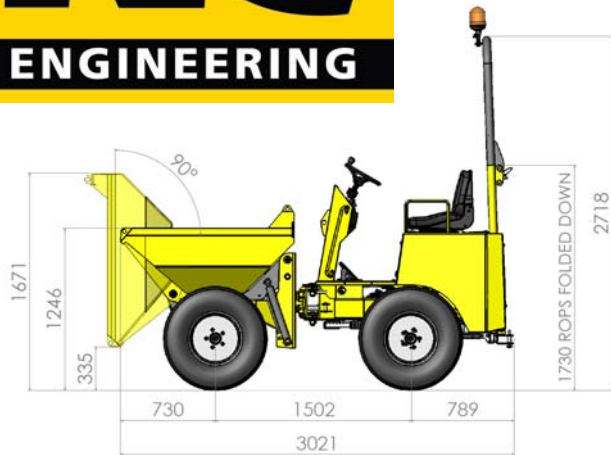




HT1.0



CAPACITY:

Max. safe load:	1000 kg
Heaped:	505L
Struck:	405L
Water:	300L

ENGINE:

Kubota D1105 3 Cylinder, Water Cooled, Naturally Aspirated	
Displacement:	1.1 L
Max. power:	17.5kW/23.4bhp @ 2800 rpm
Max. torque:	72Nm @ 2000 rpm
Emissions to:	97/68/EG

TRANSMISSION:

Hydrostatic automotive "Twin Lock" permanent 4 wheel drive
Acceleration by foot pedal & braking from hydrostatic retardation

DRIVE CHARACTERISTICS:

Forward / Reverse	0-14 km/h (0-8.6 mph)
Steering angle:	+/- 36°
Turning Circle:	5.78m
Grade-ability:	50%
Tyres:	10.0 / 75 / 15.3 (traction Profile) <i>(optional 7.00x12 narrow access wheels)</i>
Steering:	Priority load sensing hydrostatic centre pivot
Working brakes:	Hydrostatic retardation
Park brake:	Automatic in rear wheel motors

NOISE LEVELS:

LWA	99dB(A)
LPA	82dB(A)

TANK CAPACITIES:

Fuel:	28L
Hydraulic:	24L

SKIP:

Hydraulically operated skip tipping to 90°
Heavy duty fully welded skip with 5mm thick steel
Reinforced around top for greater strength
Operated by a twin levers for increased performance

ELECTRICAL:

Heavy duty H075 Battery: 12V, 550CCA, 59Ah
Wiring harness in protective sleeving
Reversing alarm

HYDRAULICS:

Automotive control hydrostatic pump
8cc Gear pump
Hydraulic test points fitted as standard
Easy access return oil filter on top of tank

SEATING & CONTROLS:

Adjustable suspension seat accessible from both sides
Clear access across dumper via galvanised steps
Super bright warning lights on fully featured display instrument
Steel constructed centre console for extra leg protection
Column mounted directional control lever
Anti-slip floor

SERVICE ACCESS:

Easy access for service maintenance
Lockable hinged engine cover
Battery mounted inside the engine bay



NC Engineering (Hamiltonsbawn) Ltd

2 Killyrudden Road, Hamiltonsbawn
Richhill, Co Armagh
Northern Ireland BT61 9SF

Tel: +44 (0) 28 3887 1970

Fax: +44 (0) 28 3887 0362

Email: sales@nc-engineering.com

Web: www.nc-engineering.com